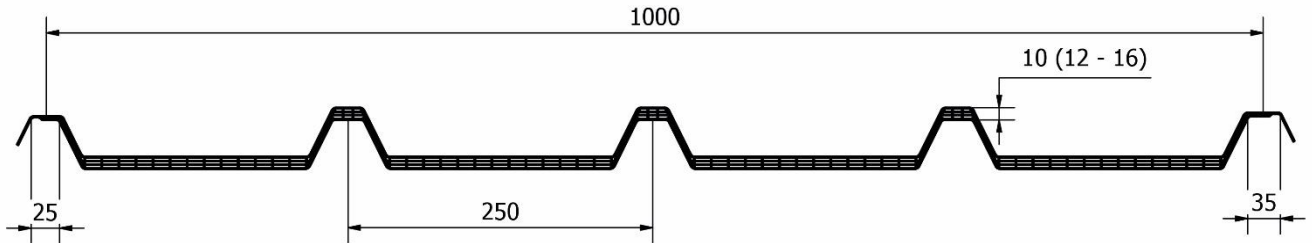


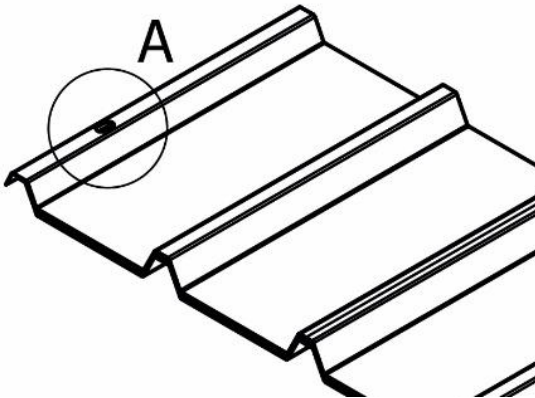
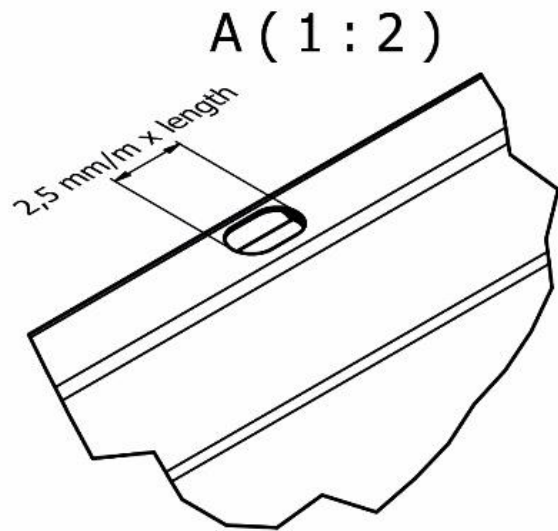
Technical Manual, March 2023

**Exolon® multi UV Greca 5G
Installation Guidelines**



The **Exolon® multi UV Greca 5G** is designed to create roofs to the entire slope (from ridge to eaves) in combination with common insulated panels.

The installation requires dedicated holes on the top of panel's crest which allow the positioning of screws corresponding the purlins of the supporting structure and the thermal expansion of polycarbonate panels.



We suggest performing slot holes each 500mm of panel length.

The manner in which you use and the purpose to which you put and utilize our products, technical assistance and information (whether verbal, written or by way of production evaluations), including any suggested formulations and recommendations, are beyond our control. Therefore, it is imperative that you test our products, technical assistance, information and recommendations to determine to your own satisfaction whether our products, technical assistance and information are suitable for your intended uses and applications. This application-specific analysis must at least include testing to determine suitability from a technical as well as health, safety, and environmental standpoint. Such testing has not necessarily been done by Exolon Group. Unless we otherwise agree in writing, all products are sold strictly pursuant to the terms of our standard conditions of sale which are available upon request. All information and technical assistance is given without warranty or guarantee and is subject to change without notice. It is expressly understood and agreed that you assume and hereby expressly release us from all liability, in tort, contract or otherwise, incurred in connection with the use of our products, technical assistance, and information. Any statement or recommendation not contained herein is unauthorized and shall not bind us. Nothing herein shall be construed as a recommendation to use any product in conflict with any claim of any patent relative to any material or its use. No license is implied or in fact granted under the claims of any patent.

Technical Manual, March 2023

Exolon® multi UV Greca 5G Installation Guidelines

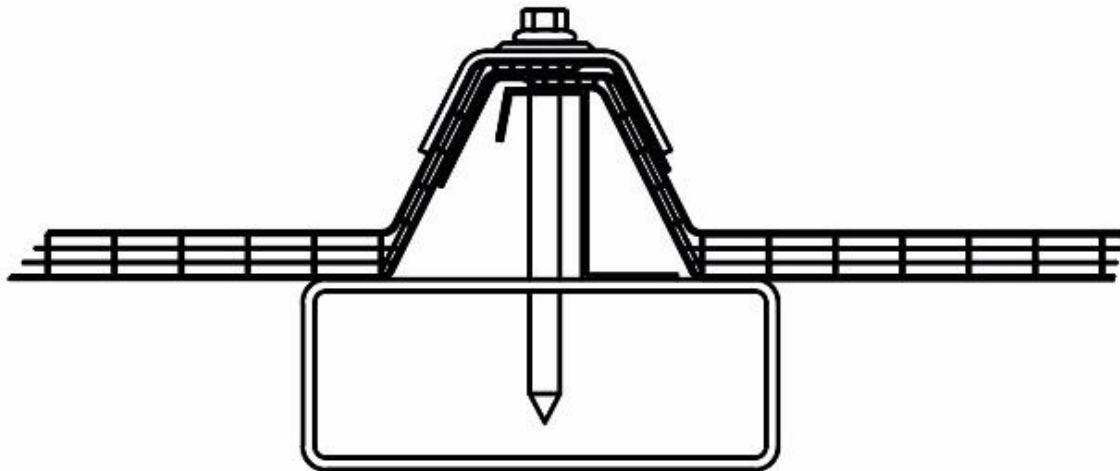
Consequently, the screws used for fixing should be provided with proper gaskets to prevent possible water infiltration.

For roofs longer than 6 m in length, it recommends the use of more overlapped sheets with a depth of at least 200 mm overlap.

Polyethylene adhesive gasket (or suitable for PC material) between the two overlapped sheets is always recommended.

Exolon® multi UV Greca 5G will be fixed at all purlins: If the purlins distance is higher than 1500 mm, we suggest supporting the product with an additional fixing in the middle.

For the support of the empty greca in case of continuous solution, a metal support element must be placed at each purlin (*not provided by Exolon Group*).



Exolon Group S.p.A
Strada Di Vagno 15/A –
05035 Nera Montoro (TR)

Italy

www.exolongroup.com
sales@exolongroup.com

exolon®
multi UV

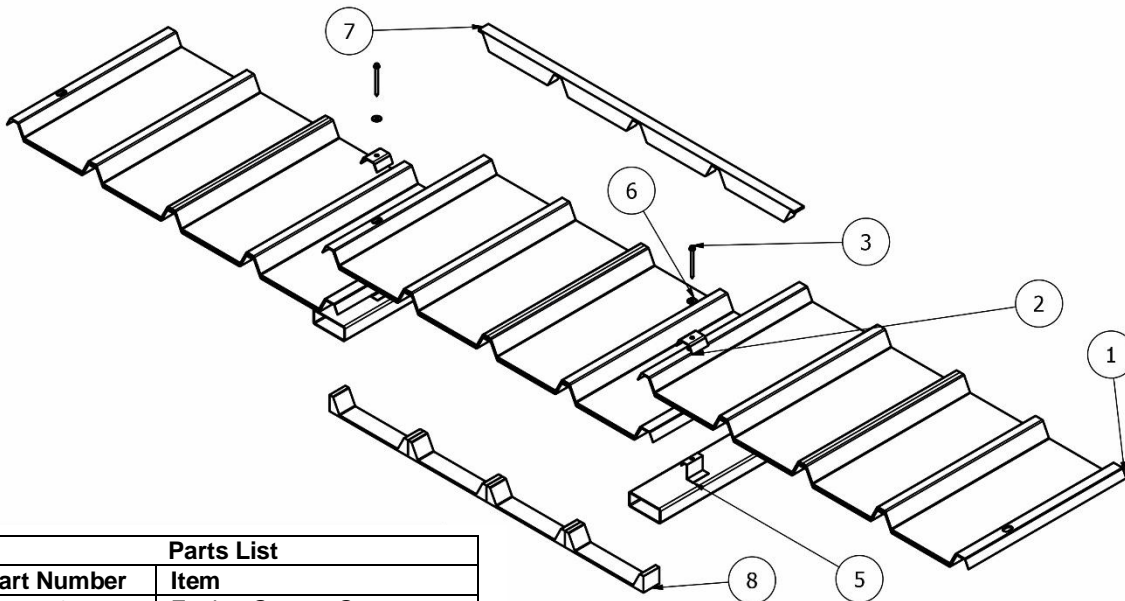
Technical Manual, March 2023

**Exolon® multi UV Greca 5G
Installation Guidelines**

Exolon® multi UV Greca 5G are supplied welded at the ends reducing the water/dirty infiltration but it will not prevent the moisture formation inside the air chambers of the Exolon® multi UV Greca 5G which is a natural phenomenon linked to the property of polycarbonate material.

Small holes on the edge can't be considered a defect and can be closed with a thin layer of silicone compatible with the polycarbonate.

In ridge and eaves should be installed the specific PE spacer to close the space below (gutter) (8) and above (top) of the shape (7)



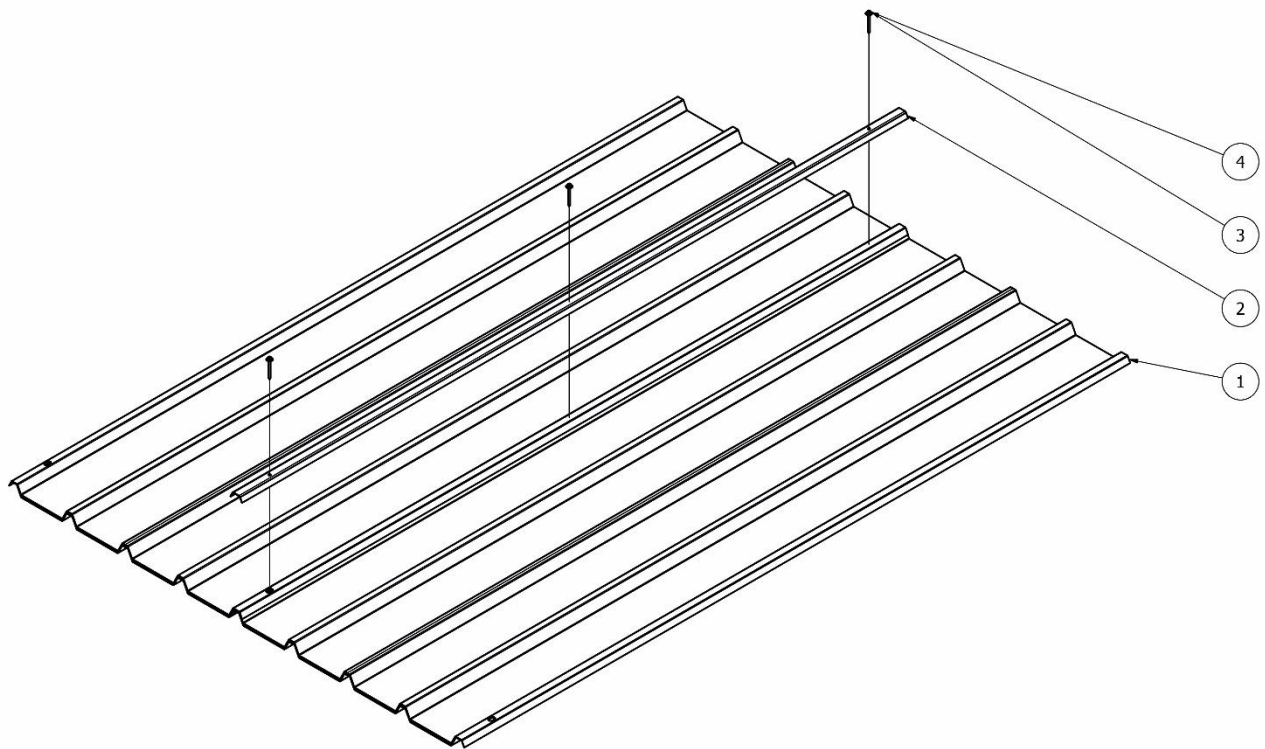
Parts List	
Part Number	Item
1	Exolon Greca 5G
2	Greca Fixing Element
3	Self-Drilling Screw 6.3x80
5	Greca Support Element
6	Gasket Screw
7	Gasket top
8	Gasket Bottom

The manner in which you use and the purpose to which you put and utilize our products, technical assistance and information (whether verbal, written or by way of production evaluations), including any suggested formulations and recommendations, are beyond our control. Therefore, it is imperative that you test our products, technical assistance, information and recommendations to determine to your own satisfaction whether our products, technical assistance and information are suitable for your intended uses and applications. This application-specific analysis must at least include testing to determine suitability from a technical as well as health, safety, and environmental standpoint. Such testing has not necessarily been done by Exolon Group. Unless we otherwise agree in writing, all products are sold strictly pursuant to the terms of our standard conditions of sale which are available upon request. All information and technical assistance is given without warranty or guarantee and is subject to change without notice. It is expressly understood and agreed that you assume and hereby expressly release us from all liability, in tort, contract or otherwise, incurred in connection with the use of our products, technical assistance, and information. Any statement or recommendation not contained herein is unauthorized and shall not bind us. Nothing herein shall be construed as a recommendation to use any product in conflict with any claim of any patent relative to any material or its use. No license is implied or in fact granted under the claims of any patent.

Technical Manual, March 2023

**Exolon® multi UV Greca 5G
Installation Guidelines**

The fixing element 2 could be replaced with a longer fixing element (*not provided by Exolon Group*) as detailed in the picture below:



Parts List	
Part Number	Item
1	Exolon Greca 5G long
2	Greca Fixing Element
3	Gasket Screw
4	Self-Drilling Screw 6.3x80

Exolon Group S.p.A
Strada Di Vagno 15/A –
05035 Nera Montoro (TR)

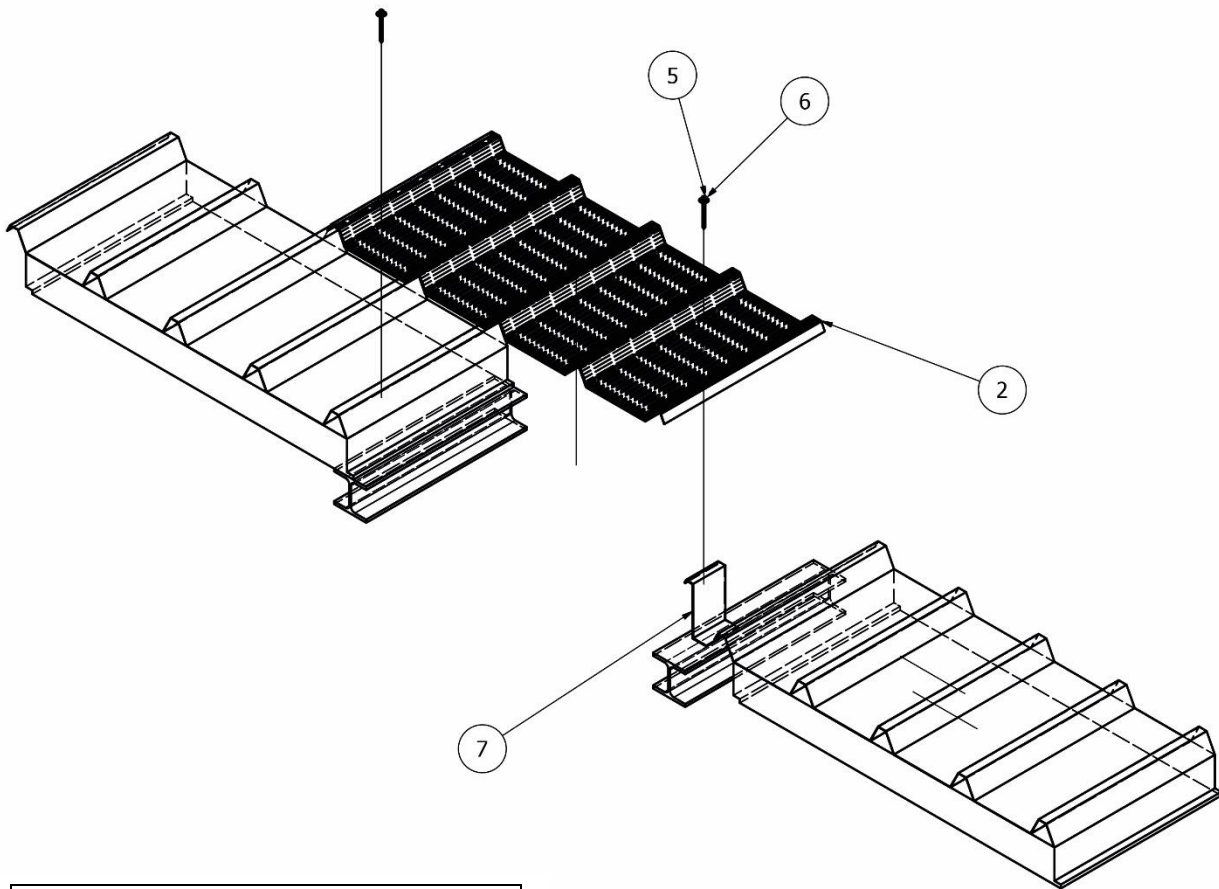
Italy

www.exolongroup.com
sales@exolongroup.com

Technical Manual, March 2023

Exolon® multi UV Greca 5G Installation Guidelines

Exolon® multi UV Greca 5G can be installed together with suitable sandwich panels like in the picture below :



Parts List	
Part Number	Item
2	Exolon Greca 5G
5	Self-Drilling Screw 6.3x80
6	Gasket Screw
7	Panel Support Element

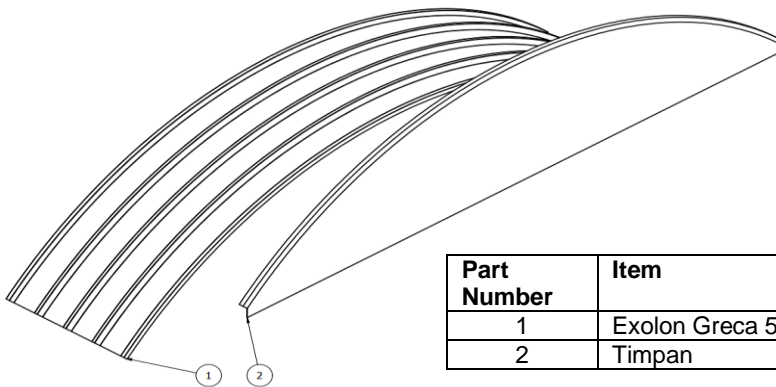
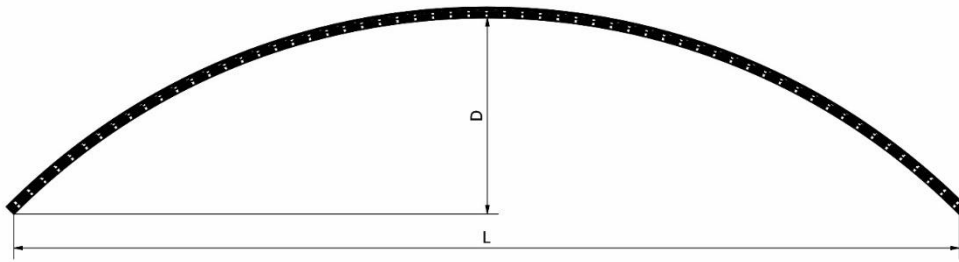
(7) is not provided by Exolon Group.

The manner in which you use and the purpose to which you put and utilize our products, technical assistance and information (whether verbal, written or by way of production evaluations), including any suggested formulations and recommendations, are beyond our control. Therefore, it is imperative that you test our products, technical assistance, information and recommendations to determine to your own satisfaction whether our products, technical assistance and information are suitable for your intended uses and applications. This application-specific analysis must at least include testing to determine suitability from a technical as well as health, safety, and environmental standpoint. Such testing has not necessarily been done by Exolon Group. Unless we otherwise agree in writing, all products are sold strictly pursuant to the terms of our standard conditions of sale which are available upon request. All information and technical assistance is given without warranty or guarantee and is subject to change without notice. It is expressly understood and agreed that you assume and hereby expressly release us from all liability, in tort, contract or otherwise, incurred in connection with the use of our products, technical assistance, and information. Any statement or recommendation not contained herein is unauthorized and shall not bind us. Nothing herein shall be construed as a recommendation to use any product in conflict with any claim of any patent relative to any material or its use. No license is implied or in fact granted under the claims of any patent.

Technical Manual, March 2023

Exolon® multi UV Greca 5G Installation Guidelines

For curved application, Exolon® multi UV Greca 5G can be supplied already bent with a radius of 3300 mm.



Part Number	Item
1	Exolon Greca 5G
2	Timpan

Radius [mm]	L [mm]	D [mm]	Exolon Greca length [mm]
3300	1490	85	1500
3300	1970	150	2000
3300	2440	234	2500
3300	2900	335	3000
3300	3760	588	4000
3300	4535	903	5000

Exolon Group S.p.A
Strada Di Vagno 15/A –
05035 Nera Montoro (TR)

Italy

www.exolongroup.com
sales@exolongroup.com

Technical Manual, March 2023

Exolon® multi UV Greca 5G Installation Guidelines

Exolon Group can provide the appropriate caps to close side openings. Please contact us for the dimensions that can be supplied.

Installation tip:

For the installation of a single curved Exolon® multi UV Greca 5G between two sandwich panels, the installation can be done without any additional support if the length of the Greca sheet itself does not exceed **2500 mm**.

If a series of Exolon® multi UV Greca 5G is to be installed, it is recommended not to exceed a length of 1700 mm for installation without additional supports.

Contact our technical support department for information on load capacity.

The manner in which you use and the purpose to which you put and utilize our products, technical assistance and information (whether verbal, written or by way of production evaluations), including any suggested formulations and recommendations, are beyond our control. Therefore, it is imperative that you test our products, technical assistance, information and recommendations to determine to your own satisfaction whether our products, technical assistance and information are suitable for your intended uses and applications. This application-specific analysis must at least include testing to determine suitability from a technical as well as health, safety, and environmental standpoint. Such testing has not necessarily been done by Exolon Group. Unless we otherwise agree in writing, all products are sold strictly pursuant to the terms of our standard conditions of sale which are available upon request. All information and technical assistance is given without warranty or guarantee and is subject to change without notice. It is expressly understood and agreed that you assume and hereby expressly release us from all liability, in tort, contract or otherwise, incurred in connection with the use of our products, technical assistance, and information. Any statement or recommendation not contained herein is unauthorized and shall not bind us. Nothing herein shall be construed as a recommendation to use any product in conflict with any claim of any patent relative to any material or its use. No license is implied or in fact granted under the claims of any patent.