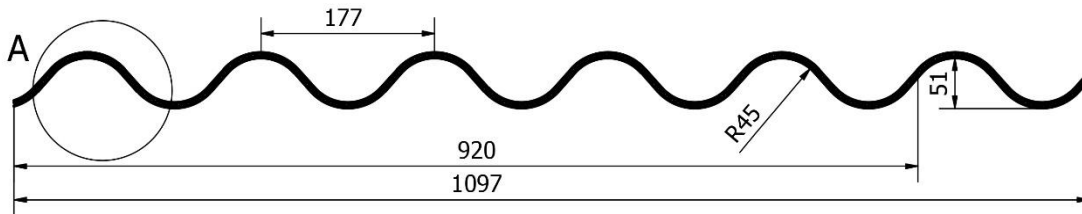


Technical Manual, March 2024

Exolon® multi UV Onda
Installation Guidelines



Detail A:

A (1 : 2)

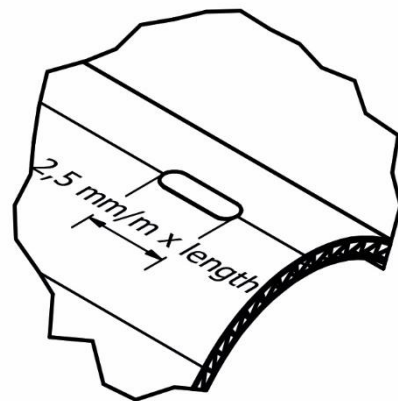
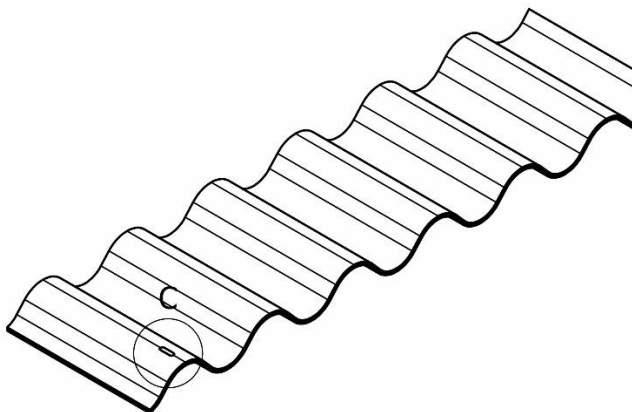


Exolon® multi UV Onda is designed to create skylights in combination with glass fibre reinforced panels or for continuous skylights.

The installation requires dedicated holes on the top of wave's crest which allow the positioning of screws

corresponding the purlins of the supporting structure and the thermal expansion of polycarbonate panels.

We suggest performing slot holes each 500mm of panel length with the following dimension:



The manner in which you use and the purpose to which you put and utilize our products, technical assistance and information (whether verbal, written or by way of production evaluations), including any suggested formulations and recommendations, are beyond our control. Therefore, it is imperative that you test our products, technical assistance, information and recommendations to determine to your own satisfaction whether our products, technical assistance and information are suitable for your intended uses and applications. This application-specific analysis must at least include testing to determine suitability from a technical as well as health, safety, and environmental standpoint. Such testing has not necessarily been done by Exolon Group. Unless we otherwise agree in writing, all products are sold strictly pursuant to the terms of our standard conditions of sale which are available upon request. All information and technical assistance is given without warranty or guarantee and is subject to change without notice. It is expressly understood and agreed that you assume and hereby expressly release us from all liability, in tort, contract or otherwise, incurred in connection with the use of our products, technical assistance, and information. Any statement or recommendation not contained herein is unauthorized and shall not bind us. Nothing herein shall be construed as a recommendation to use any product in conflict with any claim of any patent relative to any material or its use. No license is implied or in fact granted under the claims of any patent.

Technical Manual, March 2024

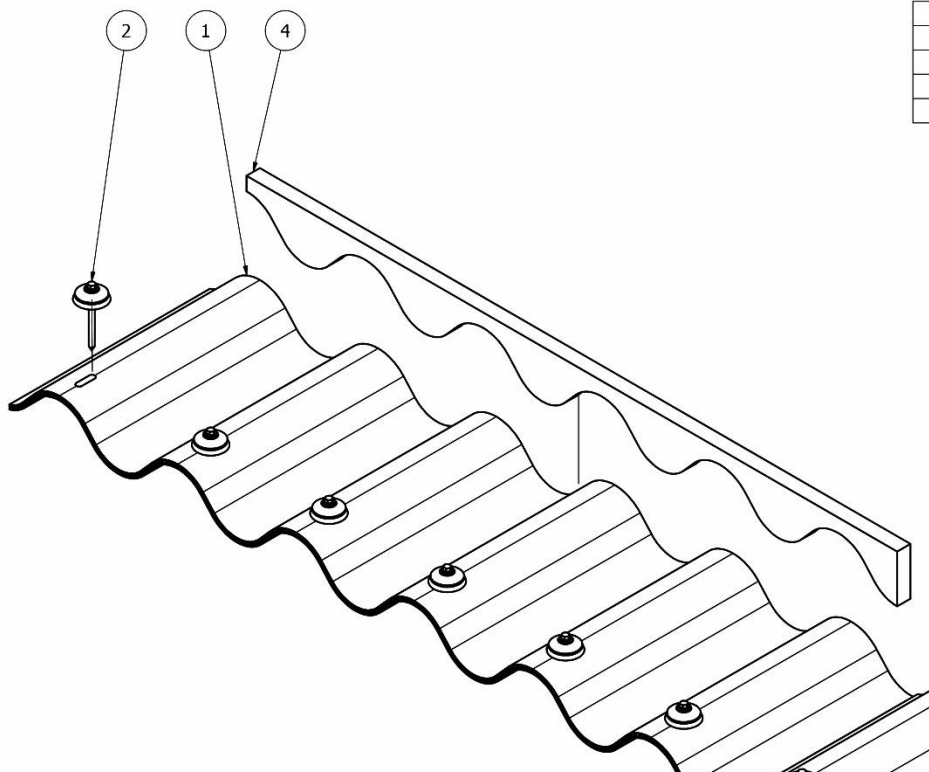
Exolon® multi UV Onda Installation Guidelines

The screws used for fixing should be provided with proper gaskets to prevent possible water infiltration. For slopes greater than 6 m in length, it recommends the use of more overlapped sheets with a depth of at least 200 mm overlap.

The placement of a PE adhesive gasket between the two overlapped sheets is always recommended.

Exolon® multi UV Onda are supplied welded at the ends reducing the water/dirty infiltration but it will not prevent the moisture formation inside the air chambers of the **Exolon® multi UV Onda** which is a natural phenomenon linked to the property of polycarbonate material.

The presence of small holes on the edge can't be considered a defect that can be closed with a thin layer of silicone compatible with the polycarbonate,



PARTS LIST	
ITEM	PART NUMBER
1	Exolon_Onda_6
2	Screw + Gasket
4	Onda_gasket

Exolon Group S.p.A
Strada Di Vagno 15/A –
05035 Nera Montoro (TR)

Italy

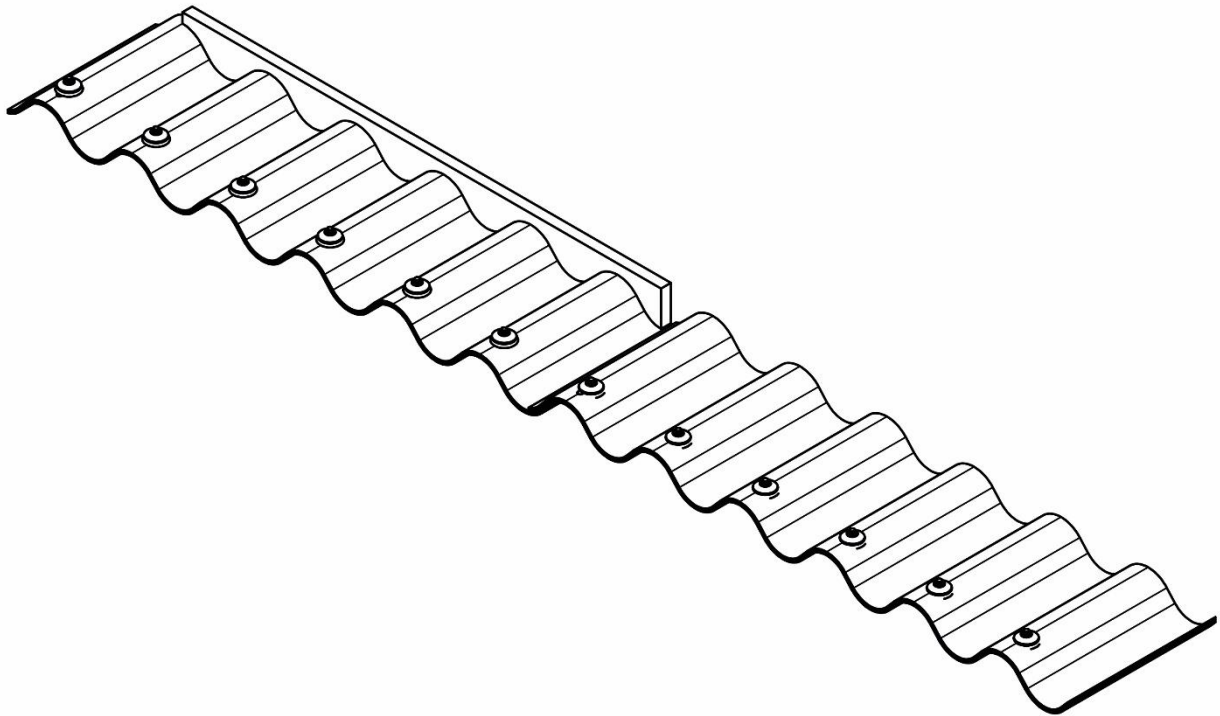
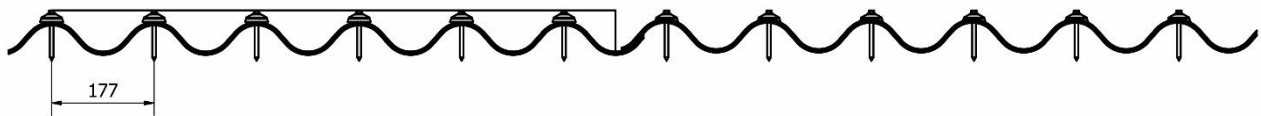
www.exolongroup.com
sales@exolongroup.com

exolon[®]
multi UV

Technical Manual, March 2024

Exolon® multi UV Onda Installation Guidelines

Screws must be installed on each crest with the proper gasket and metal ring, the distance between two crests is 177 mm.



The manner in which you use and the purpose to which you put and utilize our products, technical assistance and information (whether verbal, written or by way of production evaluations), including any suggested formulations and recommendations, are beyond our control. Therefore, it is imperative that you test our products, technical assistance, information and recommendations to determine to your own satisfaction whether our products, technical assistance and information are suitable for your intended uses and applications. This application-specific analysis must at least include testing to determine suitability from a technical as well as health, safety, and environmental standpoint. Such testing has not necessarily been done by Exolon Group. Unless we otherwise agree in writing, all products are sold strictly pursuant to the terms of our standard conditions of sale which are available upon request. All information and technical assistance is given without warranty or guarantee and is subject to change without notice. It is expressly understood and agreed that you assume and hereby expressly release us from all liability, in tort, contract or otherwise, incurred in connection with the use of our products, technical assistance, and information. Any statement or recommendation not contained herein is unauthorized and shall not bind us. Nothing herein shall be construed as a recommendation to use any product in conflict with any claim of any patent relative to any material or its use. No license is implied or in fact granted under the claims of any patent.